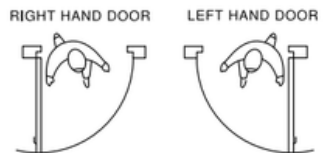


STANDARD INSTALLATION
CLOSER MOUNTED ON PULL SIDE OF DOOR.

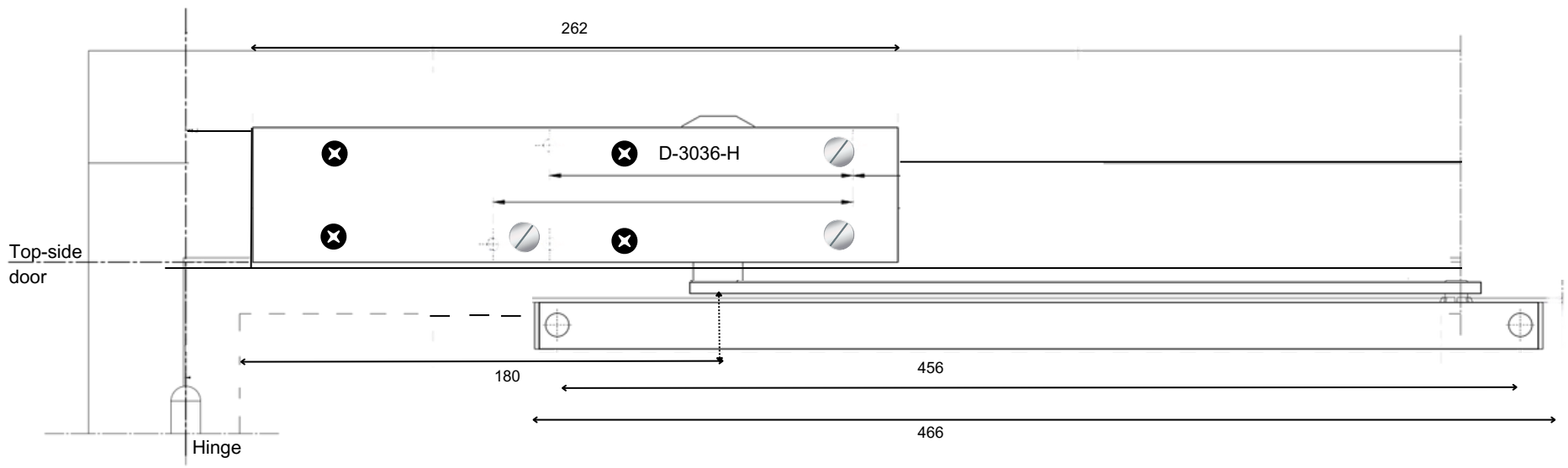
LEFT HAND DOOR SHOWN
The same dimensions apply for a right hand door,
measured from the hinge edge.



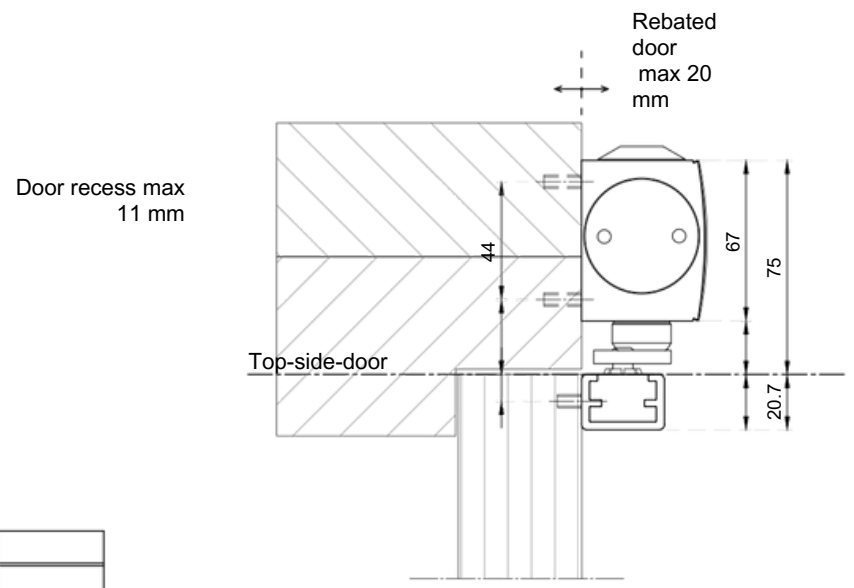
| | |
|----------------------|--|
| Description D 3036-H | |
| Sliding rails | |
| | |
| | |

D-3036-H

| | |
|--|----------------------------------|
| | D-3036-H sliding-rails pull side |
| | |
| | |
| | |



110



| | |
|----------------------|--|
| Description D 3036-H | |
| sliding rails | |
| | |
| | |
| | |
| | |

D-3036-H

| | |
|--|----------------------------------|
| | D-3036-H sliding-rails pull side |
| | |
| | |
| | |

