

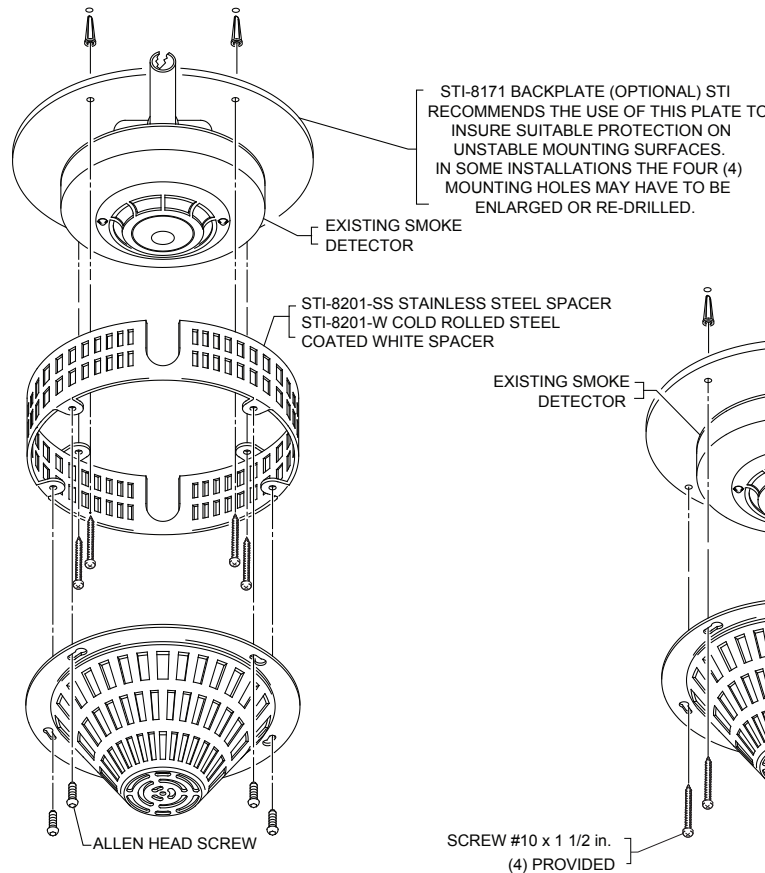


APPROVALS

STI-8200-X and STI-8230-X UL Listed No. S3504 for use with the following smoke detectors: System Sensor Models 2251, 2251T, 2251B, 2251TB, 2251TM, 2251TMB, 2251BR, 2551, 2551T, FTX-P1, FCI Models ASD-PL, ASD-P, ASD-PH, ASD-PTL, ASD-FILTEREX, ASD-FILTREXF, MCS-ACCLIMATE, ASD-PL2, ASD-PL2F, ASD-PTL2, ASD-PTL2F, MCD-ACCLIMATE2, MCS-ACCLIMATE2F, ASD-PL2FR, Secutron Models MR1-2251, MR1-2251B, EST Models 2251F, 2251FB, Mircom Models MIX-2251, MIX-2251B, Intelligent Systems Model ISL 2251, JCI Model 2951J, ADT Model 2951ADT, Fire-Lite Model SD355, Gamewell Model SS-P, Honeywell Models TC806B1076, TC806B1001 under 300 Fpm, Notifier Model FSP-751.

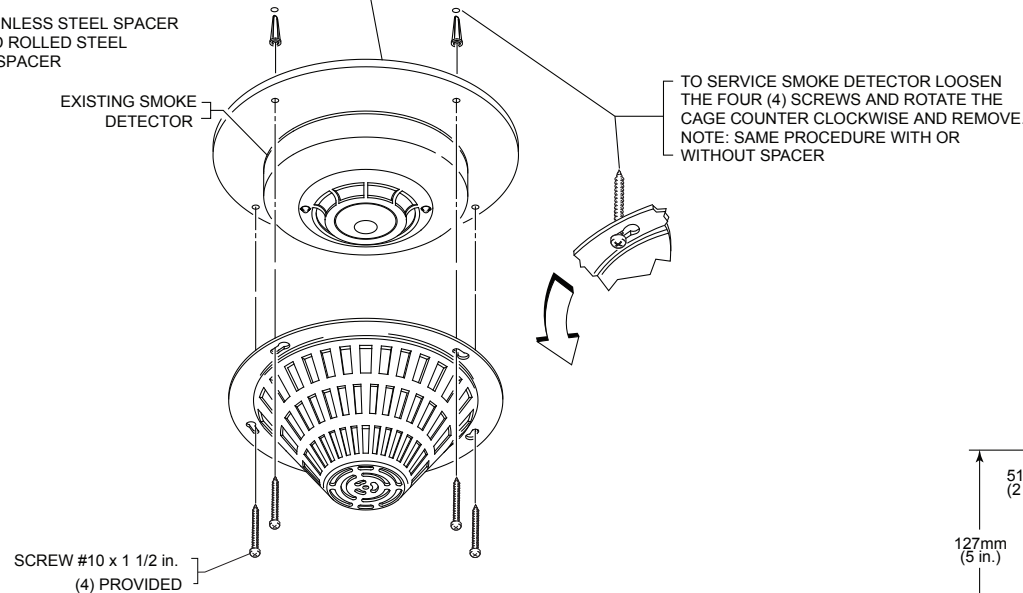
ULC Listed for use with Siemens FP-11C

California State Fire Marshal No. 7300-1416101



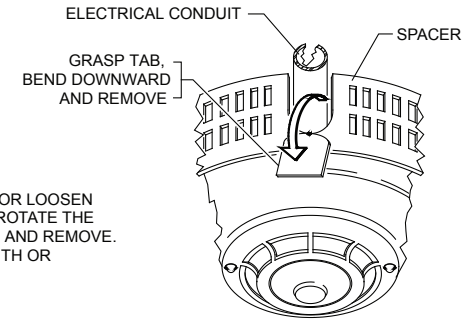
SURFACE MOUNT INSTALLATION

SURFACE MOUNT INSTALLATION
STI-8230 - STAINLESS STEEL
STI-8230 - COLOUR: WHITE

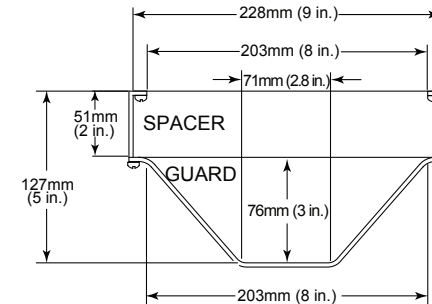


FLUSH MOUNT INSTALLATION

FLUSH MOUNT INSTALLATION
STI-8200-SS - STAINLESS STEEL
STI-8200-W - COLOUR: WHITE



VIEW SHOWING SPACER INSTALLATION WITH CONDUIT ENTRY



PRODUCT DIMENSIONS



Three year warranty or a one year limited warranty (from date of purchase) on most products. See website for details. Electronic warranty form at www.sti-usa.com/wc14.

INSTALLATION OF STI-8200 SMOKE DETECTOR GUARD

All specifications and information shown were current as of publication and are subject to change without notice.